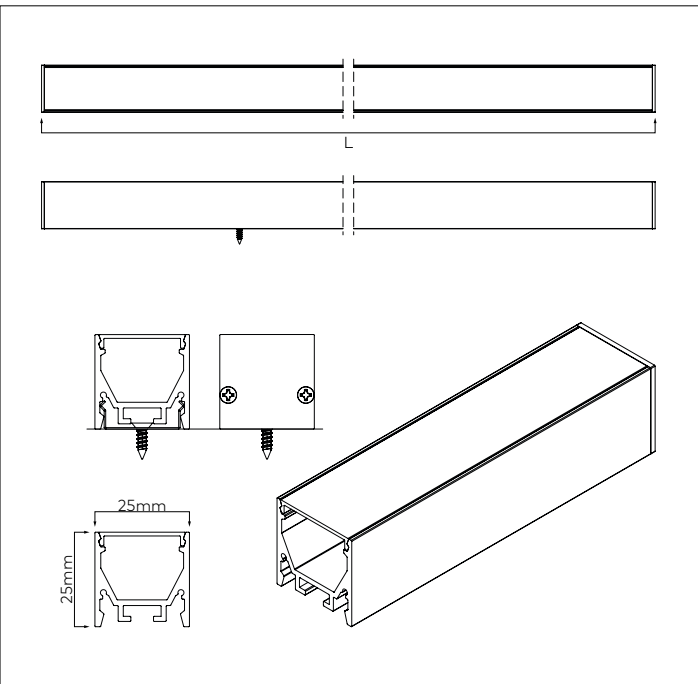




PROJECT		TYPE
SPECIFIER		
DATE		
NOTES		
PRODUCT CODE		

BOX LARGE

An extruded square surface mount Aluminium profile with frosted slide in diffuser, surface mounted concealed clips for mechanical fixed installation. Powered with LEDs, with varying lumen outputs and wattages. 90+CRI standard, with a choice of colour temperatures. Non-Dimmable and Dimmable options available in various protocols.



DIMENSIONS

DIAMETER	WIDTH	HEIGHT	LENGTH	CUT OUT
-	25mm	25mm	100-2500mm	-

TECHNICAL DATA

Lamp type	SMD	Supply voltage	24V DC
Lamp wattage	19.2W/m	Glow wire resistance	960°
Lamp life	50,000hrs L70	LED maintenance	LM80 (L70)
Binning	3-Step MacAdams	Mounting surface classification	▽
CRI	80Ra	Connection type	500mm Wire tails
Control gear	Remote	Protection classification	⊠
Materials	Extruded aluminium with PC diffuser	Standards	EN/AS/NZS 60598-2-1, 62031, 62471
Lumen Package	See LED specification table	Warranty	5 years <small>subject to the Company's T&C's</small>

SPECIFICATION

RANGE	STYLE	SIZE	MOUNTING	TYPE	DIFFUSER	FINISH	CCT	LED POWER	LENGTH	DRIVER
Linear	Box	Large	Surface (SF)	Fixed	Flat (6)	White (1) Black (2) Aluminium (5)	RGB+2400K (RGBW24) RGB+2700K (RGBW27) RGB+3000K (RGBW30) RGB+4000K (RGBW40) RGB+6000K (RGBW60)	19.2W/m 60/m (219)	(-XXXX) XXXX denotes length in mm See cut interval table for custom length options	0-10V (-D3) DALI (-D4)

ORDER CODE (Bold above denotes code)

L	B	L	SF	F	6	.				
---	---	---	----	---	---	---	--	--	--	--



LINEAR LED CUT INTERVAL TABLE

LIGHTKIT linear LED profiles can be custom cut to length to suit any installation. The below tables gives the total length as per the product drawing.

Please take into consideration position of the cable entry where applicable. Allow for a tolerance of +/- 1mm on cut lengths.

CUT POINT 20mm		CUT POINT 25mm		CUT POINT 29.4mm		CUT POINT 38.46mm		CUT POINT 50mm		CUT POINT 62.5mm	
PART CODES		PART CODES		PART CODES		PART CODES		PART CODES		PART CODES	
1705	6905	2805		8710		6905 (WD)		3820		6610	
1710	6908	2808		8714		6910 (WD)		3824		6614	
1715	6910	2810		8719		6914 (WD)					
1720	6914	2814		8725				2819 (2x120/m)			
		2819						2828 (1x360/m)			
35	1035	2035	40	1290	44	1514	53	1976	65		78
55	1055	2055	65	1315	74	1544	92	2015	115		140
75	1075	2075	90	1340	103	1573	130	2053	165		203
95	1095	2095	115	1365	133	1603	169	2092	215		265
115	1115	2115	140	1390	162	1632	207	2130	265		328
135	1135	2135	165	1415	191	1661	246	2169	315		390
155	1155	2155	190	1440	221	1691	284	2207	365		453
175	1175	2175	215	1465	250	1720	323	2246	415		515
195	1195	2195	240	1490	280	1750	361	2284	465		578
215	1215	2215	265	1515	309	1779	400	2323	515		640
235	1235	2235	290	1540	338	1808	438	2361	565		703
255	1255	2255	315	1565	368	1838	477	2400	615		765
275	1275	2275	340	1590	397	1867	515	2438	665		828
295	1295	2295	365	1615	427	1897	553	2476	715		890
315	1315	2315	390	1640	456	1926	592	2515	765		953
335	1335	2335	415	1665	485	1955	630		815		1015
355	1355	2355	440	1690	515	1985	669		865		1078
375	1375	2375	465	1715	544	2014	707		915		1140
395	1395	2395	490	1740	574	2044	746		965		1203
415	1415	2415	515	1765	603	2073	784		1015		1265
435	1435	2435	540	1790	632	2102	823		1065		1328
455	1455	2455	565	1815	662	2132	861		1115		1390
475	1475	2475	590	1840	691	2161	900		1165		1453
495	1495	2495	615	1865	721	2191	938		1215		1515
515	1515	2515	640	1890	750	2220	977		1265		1578
535	1535		665	1915	779	2249	1015		1315		1640
555	1555		690	1940	809	2279	1053		1365		1703
575	1575		715	1965	838	2308	1092		1415		1765
595	1595		740	1990	868	2338	1130		1465		1828
615	1615		765	2015	897	2367	1169		1515		1890
635	1635		790	2040	926	2396	1207		1565		1953
655	1655		815	2065	956	2426	1246		1615		2015
675	1675		840	2090	985	2455	1284		1665		2078
695	1695		865	2115	1015	2485	1323		1715		2140
715	1715		890	2140	1044	2514	1361		1765		2203
735	1735		915	2165	1073		1400		1815		2265
755	1755		940	2190	1103		1438		1865		2328
775	1775		965	2215	1132		1476		1915		2390
795	1795		990	2240	1162		1515		1965		2453
815	1815		1015	2265	1191		1553		2015		2515
835	1835		1040	2290	1220		1592		2065		
855	1855		1065	2315	1250		1630		2115		
875	1875		1090	2340	1279		1669		2165		
895	1895		1115	2365	1309		1707		2215		
915	1915		1140	2390	1338		1746		2265		
935	1935		1165	2415	1367		1784		2315		
955	1955		1190	2440	1397		1823		2365		
975	1975		1215	2465	1426		1861		2415		
995	1995		1240	2490	1456		1900		2465		
1015	2015		1265	2515	1485		1938		2515		