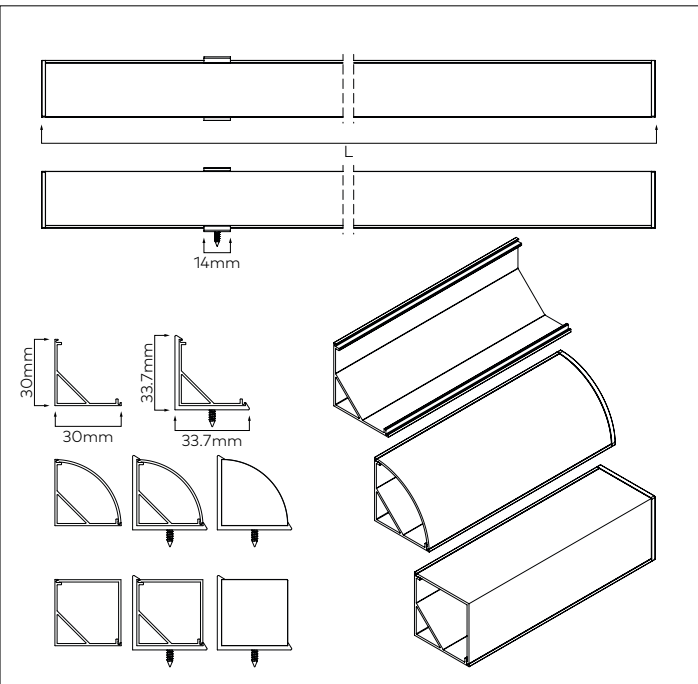




PROJECT		TYPE
SPECIFIER		
DATE		
NOTES		
PRODUCT CODE		

## COVE LARGE

An extruded cove mounted Aluminium profile, with LED angled at 45degrees for asymmetric light distribution, with frosted snap in diffuser, surface mounting clips for mechanical fixed installation. Powered with LEDs, with varying lumen outputs and wattages. 90+CRI standard, with a choice of colour temperatures. Non-Dimmable and Dimmable options available in various protocols.



### DIMENSIONS

DIAMETER	WIDTH	HEIGHT	LENGTH	CUT OUT
-	30mm	30mm	100-2500mm	-

### TECHNICAL DATA

Lamp type	SMD	Supply voltage	24V DC
Lamp wattage	9.6 - 28.8W	Glow wire resistance	960°
Lamp life	50,000hrs L70	LED maintenance	LM80 (L70)
Binning	3-Step MacAdams	Mounting surface classification	▽
CRI	90Ra	Connection type	500mm Wire tails
Control gear	Remote	Protection classification	⊠
Materials	Extruded aluminium with PC diffuser	Standards	EN/AS/NZS 60598-2-1, 62031, 62471
Lumen Package	See LED specification table	Warranty	5 years <i>subject to the Company's T&amp;C's</i>

### SPECIFICATION

RANGE	STYLE	SIZE	MOUNTING	TYPE	DIFFUSER	FINISH	CCT	LED POWER / DELIVERED LUMENS <sup>(1)</sup>	LENGTH	DRIVER
Linear	Cove	Large	Surface (SF)	Fixed	Round (1) Square (4) No Diffuser (X)	White (1) Black (2) Aluminium (5)	2400K (C24) 2700K (C27) 3000K (C30) 4000K (C40) 6000K (C60)	9.6W/m 240 LEDs/m (3810) 722lm/m 14.4W/m 240 LEDs/m (3814) 1083lm/m 19.2W/m 240 LEDs/m (3819) 1444lm/m	(.XXXX) XXXX denotes length in mm  See cut interval table for custom length options	Non-Dim (-D1) Phase (-D2) 0-10V (-D3) DALI (-D4)
							Warm Dim Voltage Reducing 2700-1800K (C2718WR)	9.6W/m 238 LEDs/m (8710) 838lm/m 14.4W/m 238 LEDs/m (8714) 1257lm/m 19.2W/m 238 LEDs/m (8719) 1676lm/m 25W/m 238 LEDs/m (8725) 2183lm/m		

<sup>(1)</sup>Luminous flux @3000K

### ORDER CODE

(Bold above denotes code)

L	C	L	SF	F	.					
---	---	---	----	---	---	--	--	--	--	--