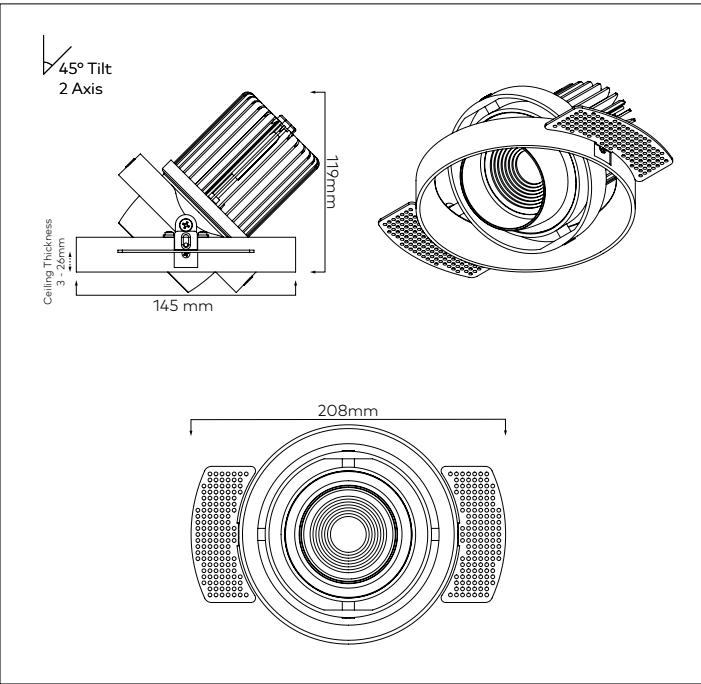




PROJECT		TYPE
SPECIFIER		
DATE		
NOTES		
PRODUCT CODE		

GIMBAL ROUND TRIMLESS LARGE

'Gimbal Round Trimless Large' is a trimless, plaster in adjustable (tilt 45°) downlight, with glare snoot, in a family with matching standard option. The 'Gimbal' family is designed for uniformity in appearance and light quality. Available with a selection of light engines common across the whole accent range, common light quality and appearance is achievable between pendants, recessed / surface downlights and spot options. 'Light engines' are available in varying output, colour temperature / warm dimmable, colour rendering and beam angles with interchangeable lenses. 'Gimbal Single Medium' downlight is supplied with a powder coated aluminium trim, sold complete with your selected 'light engine'. A range of optical accessories can be added as required.



DIMENSIONS

DIAMETER	WIDTH	HEIGHT	LENGTH	CUT OUT
Ø145mm	N/A	119mm	N/A	Ø148mm

TECHNICAL DATA

Lamp type	Citizen	Supply voltage	See LED specification table
Lamp wattage & Delivered lumens ^(*)	19W : 1854lm 19W WD : 1263lm	Glow wire resistance	850°
	25W : 2268lm 25W WD : 1706lm	LED maintenance	Integrated
Lamp life	50,000hrs L70	Mounting surface classification	▽
Binning	2-Step MacAdams	Connection type	Flex and Plug
CRI	90Ra	Protection classification	⊠
Control gear	Remote	Standards	EN/AS/NZS 60598-2-2, 62031, 62471
Materials	Cast aluminium, matt powder coated	Warranty	5 years

^(*) Luminous flux @3000K with medium optics. Please see the full specifications for further photometric data.

SPECIFICATION

RANGE	STYLE	SIZE	MOUNTING	TYPE	BEAM ANGLE	FINISH	CCT	DRIVER	ENGINE / POWER	ACCESSORY
Accent	Gimbal Round (GR1)	Large	Recessed Trimless (RT)	Adjustable	10° (L10) ^(*) 20° (L20) 35° (L35) 45° (L45) 60° (L60)	White (1) Black (2)	2700K (2) 3000K (3) 4000K (4) Warm Dim 3000-2000K (3020)	Phase (2) 0-10V (3) DALI (8)	19W (D19) 25W (D25) Warm Dim (D19W, D25W)	Honeycomb Louvre (-H) Solite Lens (-SO) Spread Lens (-SL)

^(*) 10° option not available with Warm Dim LED

ORDER CODE (Bold above denotes code)

A	GR1	L	RT	A	.					
---	------------	----------	-----------	----------	---	--	--	--	--	--