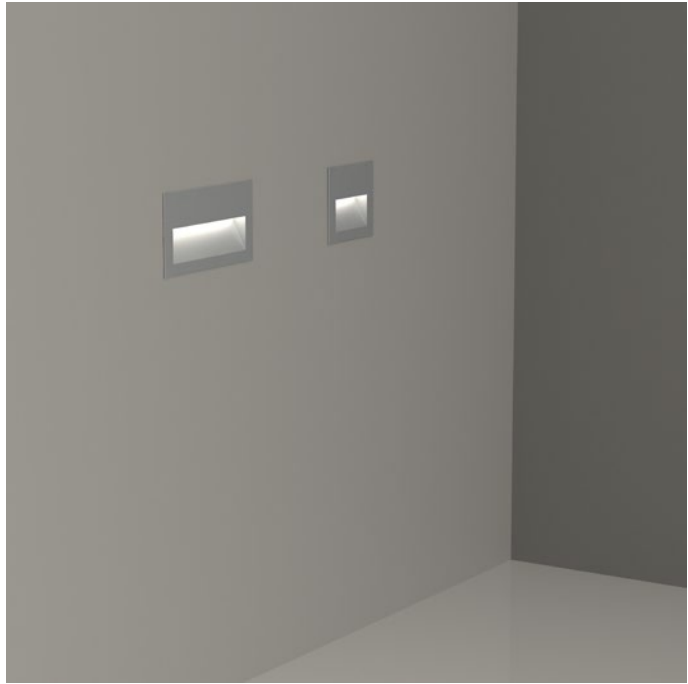
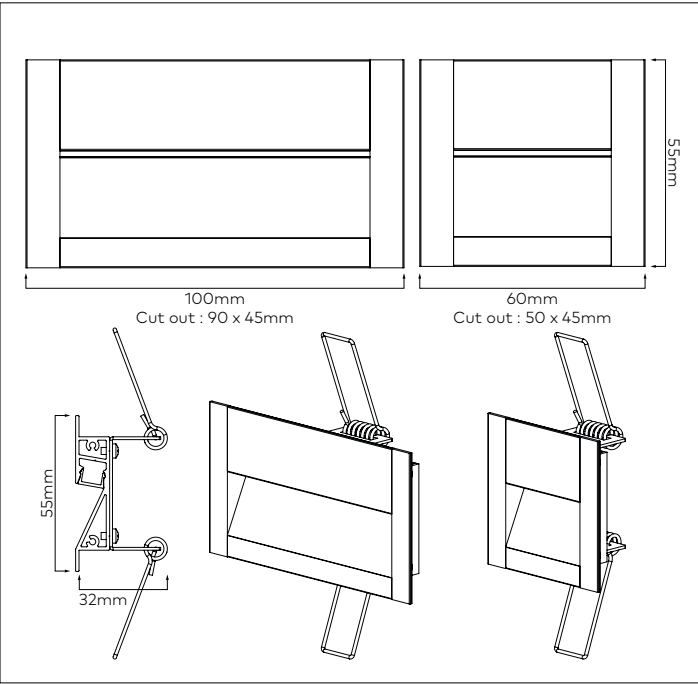




PROJECT		TYPE
SPECIFIER		
DATE		
NOTES		
PRODUCT CODE		

NIGHT RECESSED SMALL

A recessed luminaire, with LED angled for asymmetric light distribution, with concealed frosted snap in diffuser, surface mounting clips for mechanical fixed installation. Powered with LEDs, with varying lumen outputs and wattages. 90+CRI standard, with a choice of colour temperatures.



DIMENSIONS

DIAMETER	WIDTH	HEIGHT	LENGTH	CUT OUT
-	55mm	32mm	60mm & 100mm options	See drawing above

TECHNICAL DATA

Lamp type	SMD	Supply voltage	24V DC
Lamp wattage & Delivered lumens [®]	0.4W 22lm	Glow wire resistance	960°
	0.6W 33lm		
	0.8W 41lm		
Lamp life	1.2W 60lm	LED maintenance	LM80 (L70)
	Warm Dim 19lm	Mounting surface classification	▽
	29lm	Connection type	500mm Wire tails
Binning	3-Step MacAdams	Protection classification	⊠
CRI	90Ra	Standards	EN/AS/NZS 60598-2-2, 62031, 62471
Control gear	Remote CV	Warranty	5 years <i>subject to the Company's T&C's</i>
Materials	Extruded aluminium with PC diffuser		

[®]Luminous flux @3000K. Please see the full specifications for further photometric data.

SPECIFICATION

RANGE	STYLE	SIZE	MOUNTING	TYPE	DIFFUSER	FINISH	CCT	LENGTH / LED POWER	DRIVER
Accent	Night	Small	Recessed	Fixed	Flat (6)	White (1) Black (2) Aluminium (5)	2400K (C24) 2700K (C27) 3000K (C30) 4000K (C40) 6000K (C60) Warm Dim Voltage Reducing 2700-1800K (C2718WR)	60mm / 0.4W (004-060) 60mm / 0.6W (006-060) 100mm / 0.8W (008-100) 100mm / 1.2W (012-100)	Non-Dim (-D1) Phase (-D2) 0-10V (-D3) DALI (-D4)

ORDER CODE (Bold above denotes code)

A	N	S	R	F	6	.			
---	---	---	---	---	---	---	--	--	--