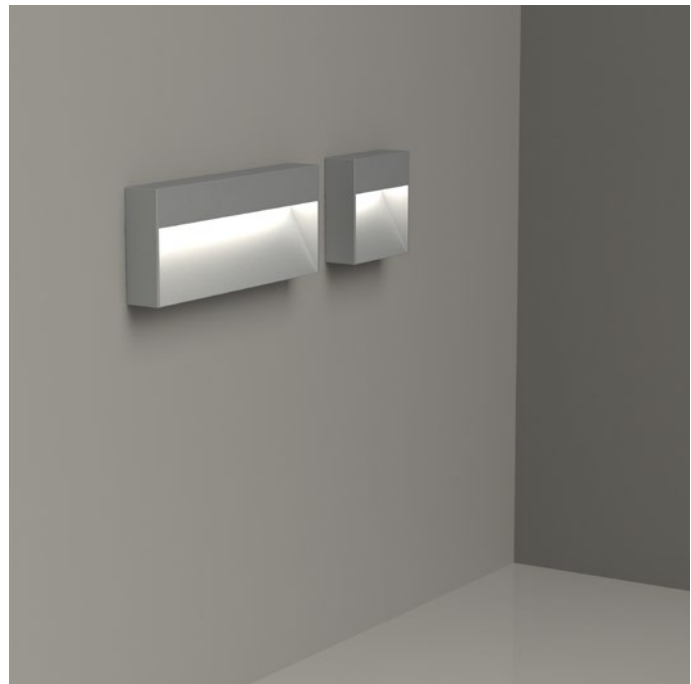
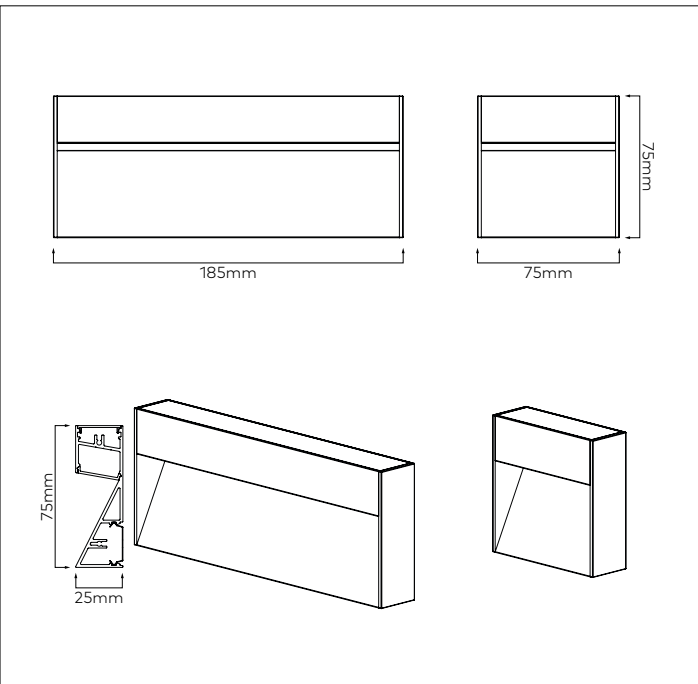




PROJECT		TYPE
SPECIFIER		
DATE		
NOTES		
PRODUCT CODE		

## NIGHT SURFACE LARGE

A surface mount luminaire, with LED angled for asymmetric light distribution, with concealed frosted snap in diffuser, surface mounting clips for mechanical fixed installation. Powered with LEDs, with varying lumen outputs and wattages. 90+CRI standard, with a choice of colour temperatures.



### DIMENSIONS

DIAMETER	WIDTH	HEIGHT	LENGTH	CUT OUT
-	75mm	25mm	75mm & 185mm options	-

### TECHNICAL DATA

Lamp type	SMD	Supply voltage	24V DC
Lamp wattage & Delivered lumens <sup>®</sup>	0.8W 1.2W 1.6W 2.3W	Glow wire resistance	960°
	3000K 44lm 62lm 105lm 144lm		
	Warm Dim 38lm 54lm 91lm 124lm		
Lamp life	50,000hrs L70	LED maintenance	LM80 (L70)
Binning	3-Step MacAdams	Mounting surface classification	▽
CRI	90Ra	Connection type	500mm Wire tails
Control gear	Remote CV	Protection classification	⊠
Standards	EN/AS/NZS 60598-2-2, 62031, 62471	Materials	Extruded aluminium with PC diffuser
Warranty	5 years <i>subject to the Company's T&amp;C's</i>		

<sup>®</sup>Luminous flux @3000K. Please see the full specifications for further photometric data.

### SPECIFICATION

RANGE	STYLE	SIZE	MOUNTING	TYPE	DIFFUSER	FINISH	CCT	LENGTH / LED POWER	DRIVER
Accent	Night	Large	Surface	Fixed	Flat (6)	White (1) Black (2) Aluminium (5)	2400K (C24) 2700K (C27) 3000K (C30) 4000K (C40) 6000K (C60)  Warm Dim Voltage Reducing 2700-1800K (C2718WR)	75mm / 0.8W (008-075) 75mm / 1.2W (012-075)  185mm / 1.6W (016-185) 185mm / 2.3W (023-185)	Non-Dim (-D1) Phase (-D2) 0-10V (-D3) DALI (-D4)

### ORDER CODE (Bold above denotes code)

A	N	L	S	F	6	.			
---	---	---	---	---	---	---	--	--	--