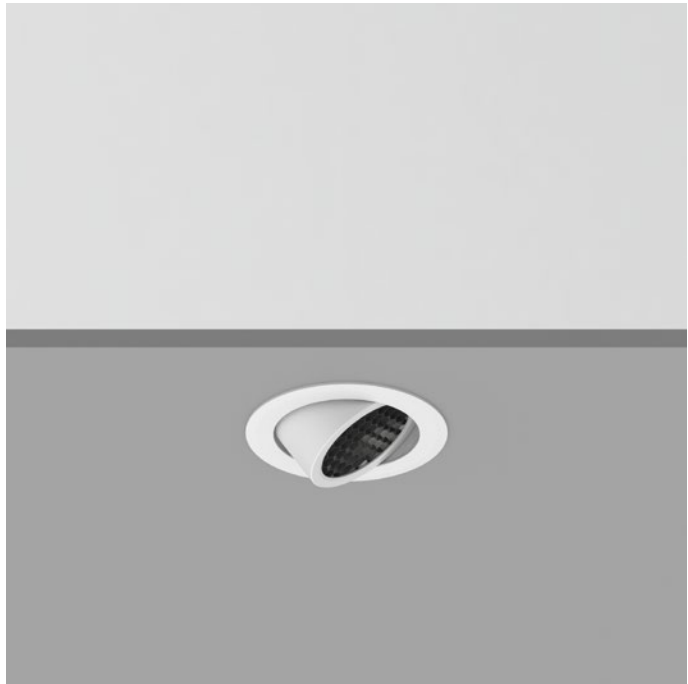
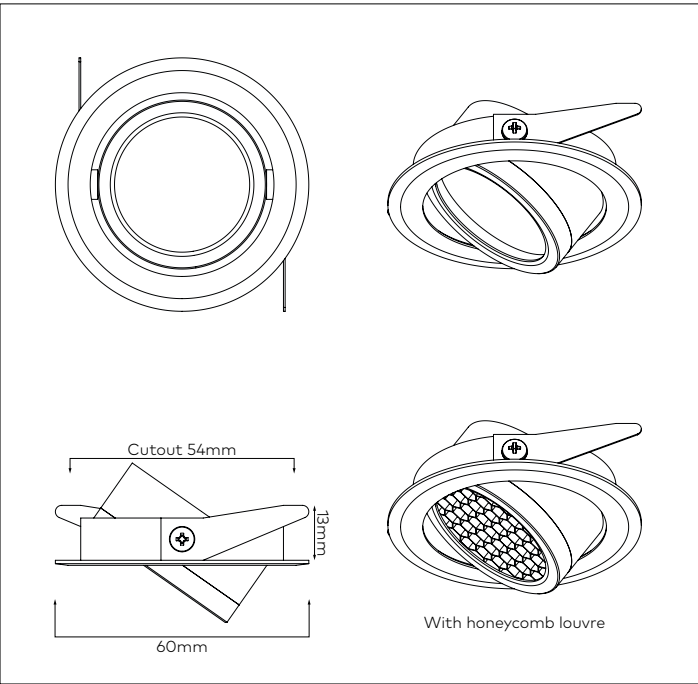




PROJECT		TYPE
SPECIFIER		
DATE		
NOTES		
PRODUCT CODE		

PUK RECESSED ADJUSTABLE MINI

'PUK' recessed mini is an undershelf recessed downlight (for applications with minimal recess depth) matching surface version in the same size. 'Light engine' is available in varying colour temperatures, warm dimmable, colour rendering and beam angles, with or without accessories and interchangeable lenses. 'PUK' surface mini is supplied with a powder coated cast aluminium housing, sold complete with your selected 'Light Engine'.



DIMENSIONS

DIAMETER	WIDTH	HEIGHT	LENGTH	CUT OUT
Ø60mm	N/A	13mm	N/A	54mm

TECHNICAL DATA

Lamp type	Citizen	Supply voltage	See LED specification table
Lamp wattage & Delivered lumens [®]	2W : 152lm	Glow wire resistance	850°
	5W : 274lm 5W WD : 250m	LED maintenance	Integrated
Lamp life	50,000hrs L70	Mounting surface classification	▽
Binning	2-Step MacAdams	Connection type	Flex and Plug
CRI	90Ra	Protection classification	⚡
Control gear	Remote	Standards	EN/AS/NZS 60598-2-2, 62031, 62471
Materials	Cast aluminium, matt powder coated	Warranty	5 years

[®] Luminous flux @3000K with medium optics and honeycomb louvre accessory. Please see the full specifications for further photometric data.

SPECIFICATION

RANGE	STYLE	SIZE	MOUNTING	TYPE	BEAM ANGLE	FINISH	CCT	DRIVER	ENGINE / POWER	ACCESSORY
Accent	Puk (PK)	Mini (MI)	Recessed	Adjustable	15° (L15) 20° (L20)	White (1) Black (2) Silver (7)	2700K (2) 3000K (3) 4000K (4) Warm Dim 2700-1800K (2718)	Phase (2) 0-10V (3) DALI (8)	Puk 2W (PK2) Puk 5W (PK5) Puk 5W Warm Dim (PK5W)	Honeycomb Louvre (-H) Solite Lens (-SO) Spread Lens (-SL)

ORDER CODE (Bold above denotes code)

A	PK	MI	R	A	.					
----------	-----------	-----------	----------	----------	---	--	--	--	--	--