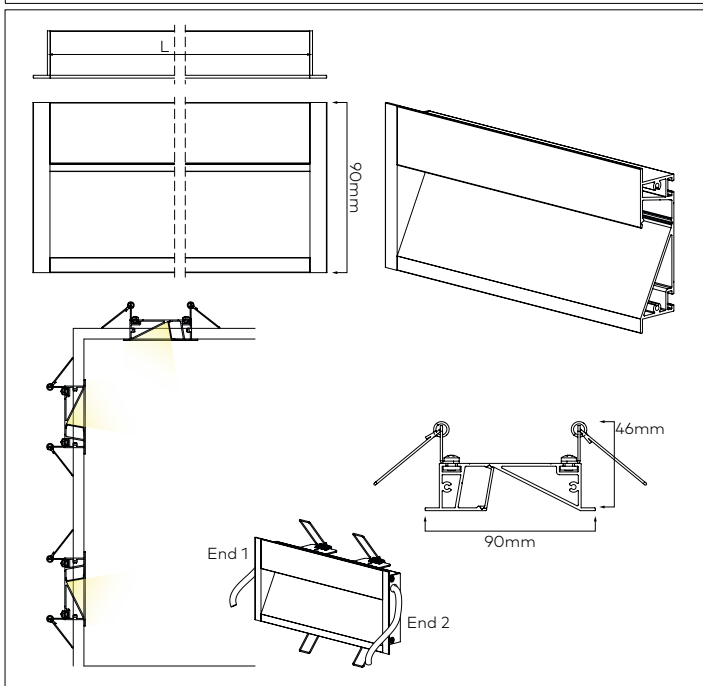




PROJECT		TYPE
SPECIFIER		
DATE		
NOTES		
PRODUCT CODE		

## RAIL RECESSED LARGE

An extruded aluminium profile, with LED angled for asymmetric light distribution, with concealed frosted snap in diffuser, recessing spring clips for mechanical fixed installation. Powered with LEDs, with varying lumen outputs and wattages. 90+CRI standard, with a choice of colour temperatures.



### DIMENSIONS

DIAMETER	WIDTH	HEIGHT	LENGTH	CUT OUT
-	90mm	46mm	100-2500mm	80mm x (L+2mm)

### TECHNICAL DATA

Lamp type	SMD	Supply voltage	24V DC
Lamp wattage	9.6 - 25W/m	Glow wire resistance	960°
Lamp life	50,000hrs L70	LED maintenance	LM80 (L70)
Binning	3-Step MacAdams	Mounting surface classification	▽
CRI	90Ra	Connection type	500mm Wire tails
Control gear	Remote CV	Protection classification	⊠
Materials	Extruded aluminium with PC diffuser	Standards	EN/AS/NZS 60598-2-1, 62031, 62471
Lumen Package	See LED specification table	Warranty	5 years <i>subject to the Company's T&amp;C's</i>

### SPECIFICATION

RANGE	STYLE	SIZE	MOUNTING	TYPE	DIFFUSER	FINISH	CCT	LED POWER / DELIVERED LUMENS <sup>(1)</sup>	MOUNTING / CABLE ENTRY	LENGTH	DRIVER
Linear	Rail	Large	Recessed	Fixed	Flat (6)	White (1) Black (2) Aluminium (5)	2400K (C24) 2700K (C27) 3000K (C30) 4000K (C40) 6000K (C60)	9.6W/m 300 LEDs/m (6910) 504lm/m 14.4W/m 300 LEDs/m (6914) 774lm/m	Back / End 1 (B1) Back / End 2 (B2) Back / Both ends (B3)	(.XXXX) XXXX denotes length in mm  See cut interval table for custom length options	Non-Dim (-D1) Phase (-D2) 0-10V (-D3) DALI (-D4)
							Warm Dim Voltage Reducing 2700-1800K (C2718WR)	9.6W/m 324LEDs/m (69B10) 376lm/m 14.4W/m 324LEDs/m (69B14) 498lm/m 20W/m 324LEDs/m (69B20) 784lm/m			

<sup>(1)</sup>Luminous flux @3000K

### ORDER CODE

(Bold above denotes code)

L	R	L	R	F	6	-					
---	---	---	---	---	---	---	--	--	--	--	--