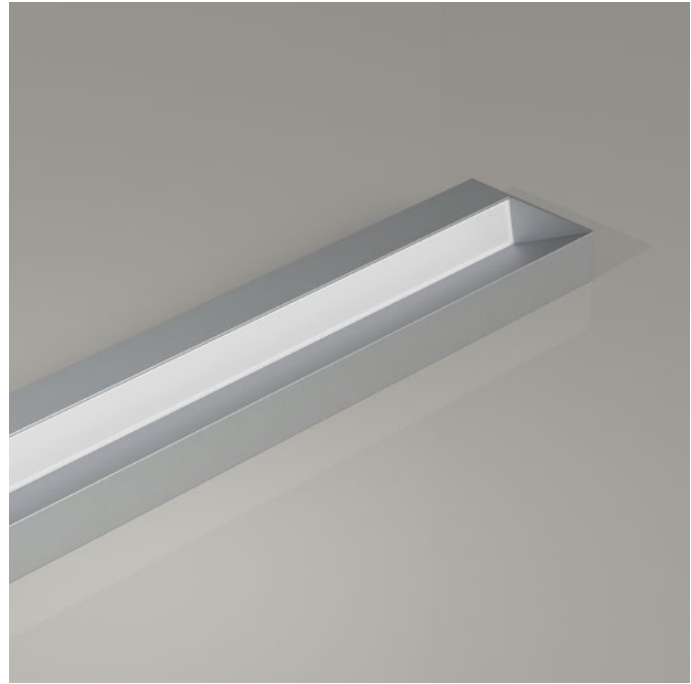
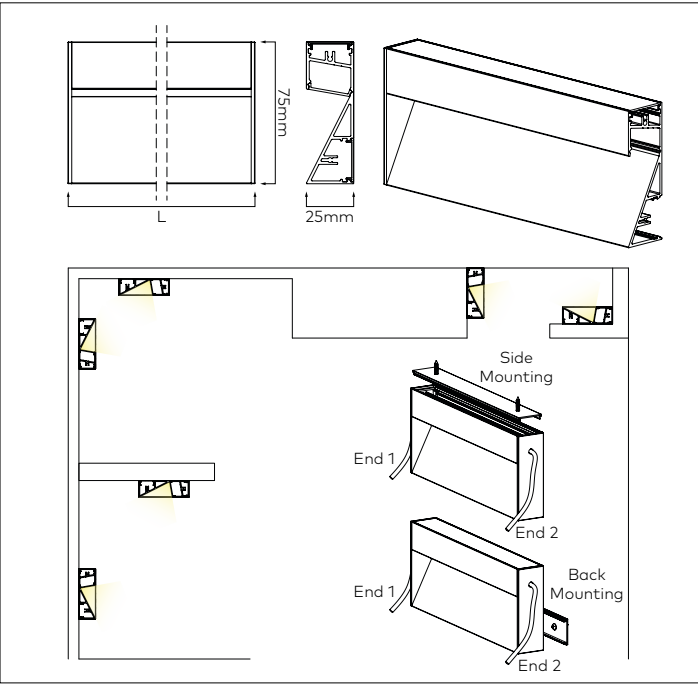




|              |  |      |
|--------------|--|------|
| PROJECT      |  | TYPE |
| SPECIFIER    |  |      |
| DATE         |  |      |
| NOTES        |  |      |
| PRODUCT CODE |  |      |

## RAIL SURFACE LARGE

An extruded aluminium profile, with LED angled for asymmetric light distribution, with concealed frosted snap in diffuser, surface mounting clips for mechanical fixed installation. Powered with LEDs, with varying lumen outputs and wattages. 90+CRI standard, with a choice of colour temperatures.



### DIMENSIONS

| DIAMETER | WIDTH | HEIGHT | LENGTH     | CUT OUT |
|----------|-------|--------|------------|---------|
| -        | 75mm  | 25mm   | 100-2500mm | -       |

### TECHNICAL DATA

|               |                                     |                                 |   |
|---------------|-------------------------------------|---------------------------------|---|
| Lamp type     | SMD                                 | Supply voltage                  | 24V DC  |
| Lamp wattage  | 9.6 - 25W/m                         | Glow wire resistance            | 960°  |
| Lamp life     | 50,000hrs L70                       | LED maintenance                 | LM80 (L70)  |
| Binning       | 3-Step MacAdams                     | Mounting surface classification | ▽   |
| CRI           | 90Ra                                | Connection type                 | 500mm Wire tails                                  |
| Control gear  | Remote CV                           | Protection classification       | ⊠   |
| Materials     | Extruded aluminium with PC diffuser | Standards                       | EN/AS/NZS 60598-2-1, 62031, 62471                 |
| Lumen Package | See LED specification table         | Warranty                        | 5 years <i>subject to the Company's T&amp;C's</i> |

### SPECIFICATION

| RANGE  | STYLE | SIZE  | MOUNTING     | TYPE  | DIFFUSER | FINISH                                  | CCT   | LED POWER / DELIVERED LUMENS <sup>(1)</sup>  | MOUNTING / CABLE ENTRY   | LENGTH  | DRIVER  |
|--------|-------|-------|--------------|-------|----------|---|---|--|--|---|---|
| Linear | Rail  | Large | Surface (SF) | Fixed | Flat (6) | White (1)<br>Black (2)<br>Aluminium (5) | 2400K (C24)<br>2700K (C27)<br>3000K (C30)<br>4000K (C40)<br>6000K (C60) | 9.6W/m 300 LEDs/m (6910) 504lm/m<br>14.4W/m 300 LEDs/m (6914) 774lm/m                                    | Back / End 1 (B1)<br>Back / End 2 (B2)<br>Back / Both ends (B3)<br><br>Side / End 1 (S1)<br>Side / End 2 (S2)<br>Side / Both ends (S3) | (.XXXX)<br>XXXX<br>denotes<br>length in<br>mm<br><br>See cut<br>interval table<br>for custom<br>length<br>options | Non-Dim (-D1)<br>Phase (-D2)<br>0-10V (-D3)<br>DALI (-D4) |
|        |       |       |              |       |          |   | Warm Dim<br>Voltage<br>Reducing<br>2700-1800K<br>(C2718WR)              | 9.6W/m 324LEDs/m (69B10) 376lm/m<br>14.4W/m 324LEDs/m (69B14) 498lm/m<br>20W/m 324LEDs/m (69B20) 784lm/m |  |   |   |

<sup>(1)</sup>Luminous flux @3000K

### ORDER CODE

(Bold above denotes code)

|   |   |   |    |   |   |   |  |  |  |  |  |
|---|---|---|----|---|---|---|--|--|--|--|--|
| L | R | L | SF | F | 6 | - |  |  |  |  |  |
|---|---|---|----|---|---|---|--|--|--|--|--|